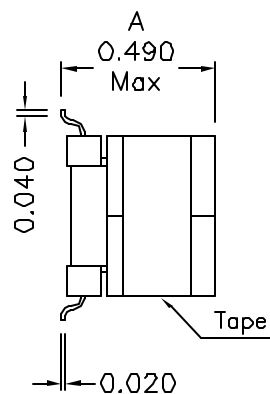
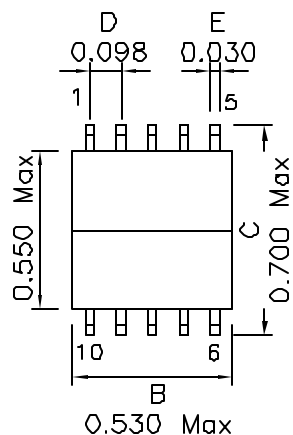
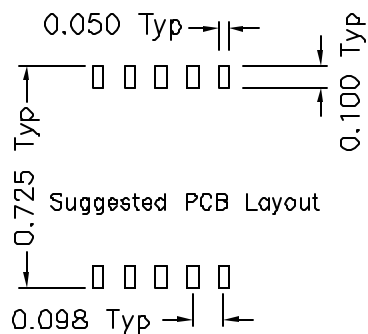


## 1. Mechanical Dimensions:



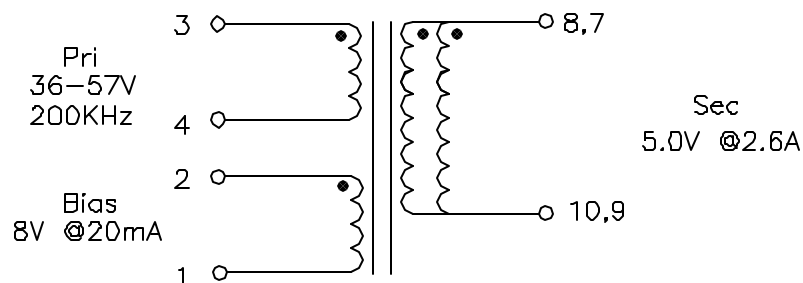
Dot Pin1



### Notes:

1. Solderability: Leads shall meet MIL-STD-202G, Method 208H for solderability.
2. Flammability: UL94V-0
3. ASTM oxygen Index: > 28%
4. Insulation System: Class F 155°C. UL file E151556
5. All listed parameters are to be within tolerance from -40°C to +85°C unless otherwise noted
6. Storage Temperature Range: -55°C to +125°C
7. Aqueous wash compatible
8. SMD Lead Coplanarity:  $\pm 0.004"$  (0.102mm)
9. Electrical and mechanical specifications 100% tested
10. RoHS Compliant Component

## 2. Schematic:



## 3. Electrical Specifications: @25°C

OCL: Pins 3-4 127uH $\pm$ 10% @250KHz 0.2V

Pins 3-4 114.3uH Min @250KHz 0.2V, 1Adc

Pins 3-4 105uH Min @250KHz 0.2V 1Adc -40°C

Q: Pins 3-4 70 Min @250KHz 0.2V

LL: Pins 3-4 7.50uH Max @250KHz 0.1V, Short All Else

DCR: Pins 3-4 0.460 Ohms Max

Pins 2-1 0.094 Ohms Max

Pins 8,7-10,9 0.012 Ohms Max

Turns Ratio: (3-4):(2-1):(8-10):(7-9)=1:0.208:0.125:0.125

Hipot: 1500Vrms, Pri & Bias to Sec

**XFMRS Inc**  
www.XFMRS.com

Title:  
PoE Transformer

UNLESS OTHERWISE SPECIFIED

P/N:XF1276E-EP13S

REV. A

TOLERANCES:

DWN.

Xianyi

Sep-05-08

.xxx  $\pm$ 0.010

CHK.

YK Liao

Sep-05-08

Dimensions in INCH

APP.

BW

Sep-05-08

SHEET 1 OF 1

**PROPRIETARY**

Document is the property of XFMRS Group & is not allowed to be duplicated without authorization.

DOC. REV: A/2